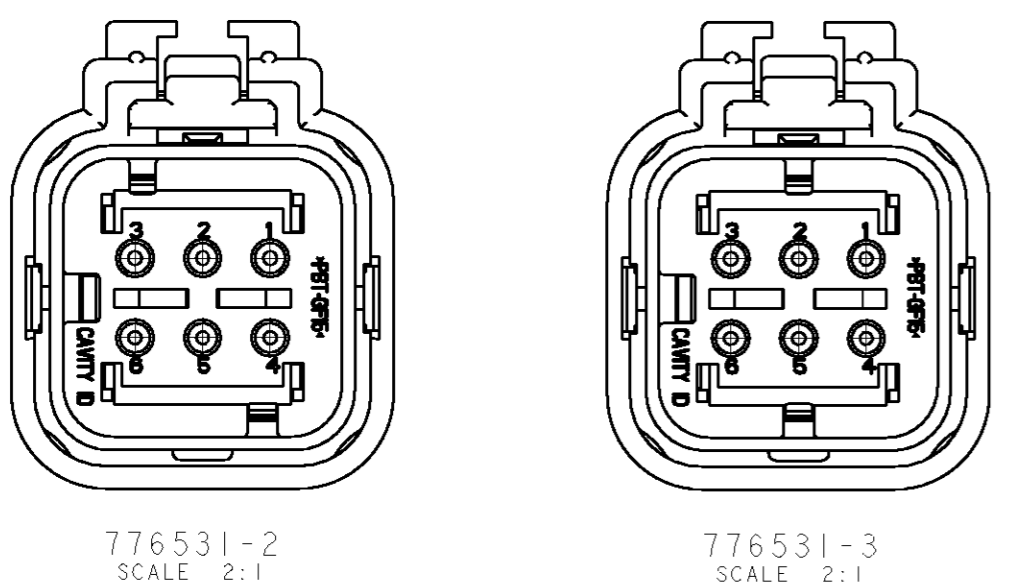
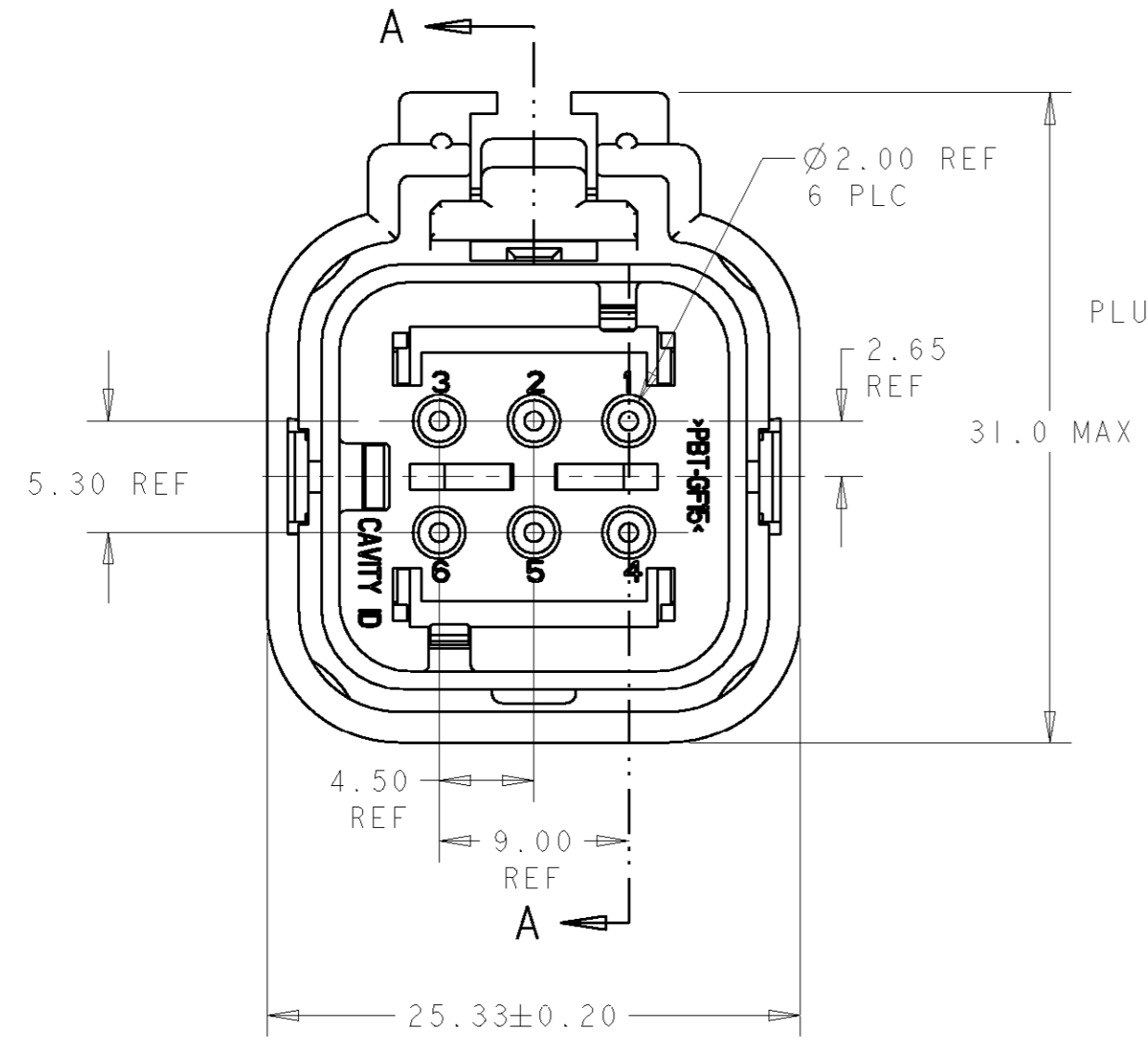


THIS DRAWING IS UNPUBLISHED. RELEASED FOR PUBLICATION 20
 © COPYRIGHT 20 BY TYCO ELECTRONICS CORPORATION. ALL RIGHTS RESERVED.

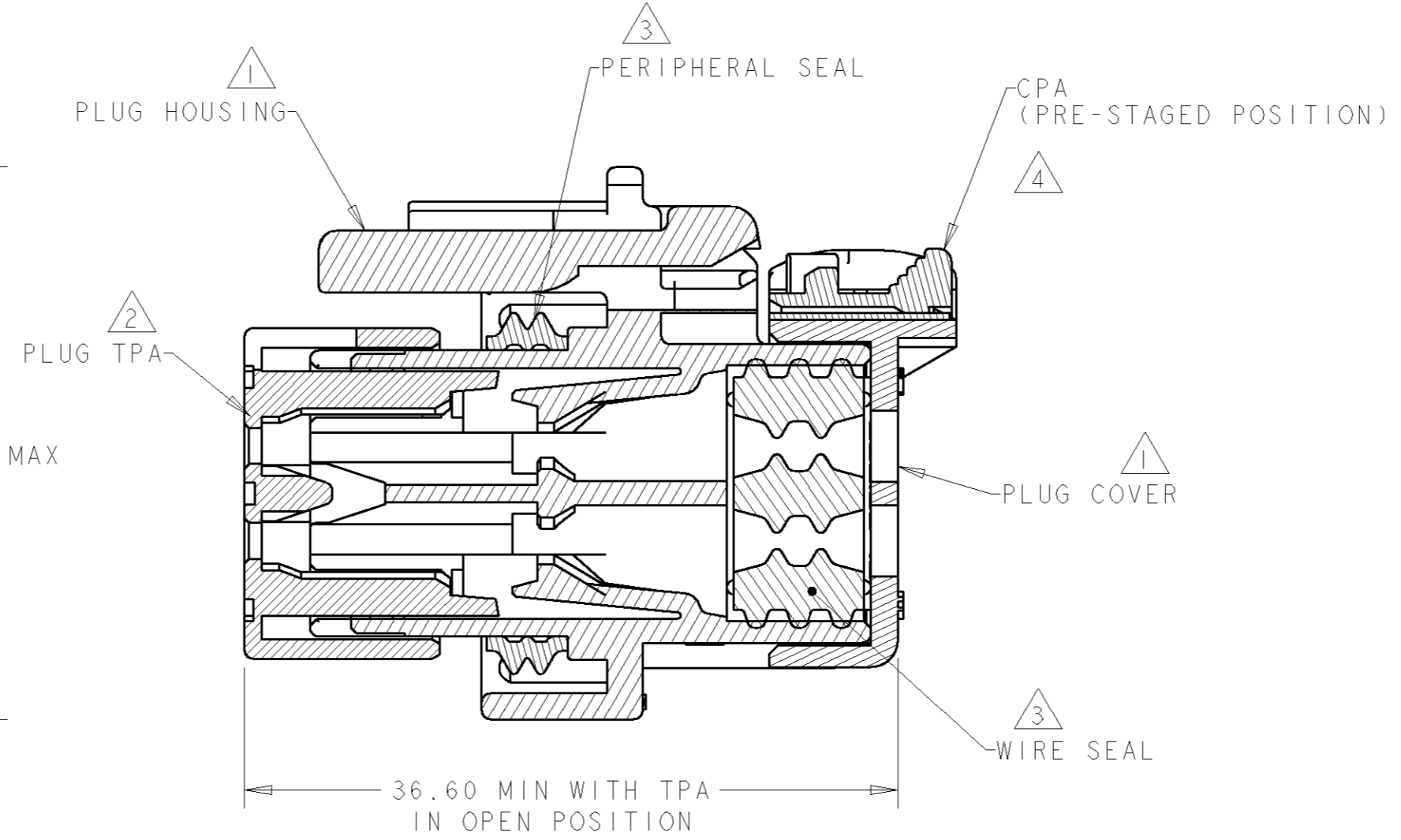
| LOC | DIST | REVISIONS | | | | | |
|-----|------|-----------|-----|-----------------------|-----------|-----|------|
| GE | 00 | P | LTR | DESCRIPTION | DATE | DWN | APVD |
| | | B | | REV PER ECR-05-004330 | 07JUN05 | WH | RS |
| | | C | | REV PER ECR-06-003051 | 07FEB2006 | WH | RS |



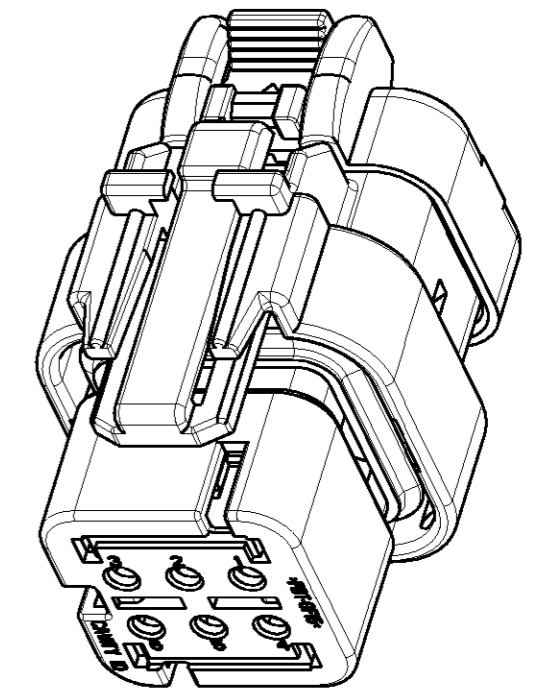
- ① MATERIAL: 15% GLASS FILLED THERMOPLASTIC
COLOR: BLACK
 - ② MATERIAL: 15% GLASS FILLED THERMOPLASTIC
COLOR: (SEE TABLE)
 - ③ MATERIAL: SILICONE
COLOR: LIGHT BLUE
 - ④ MATERIAL: 15% GLASS FILLED THERMOPLASTIC
COLOR: RED
5. RECOMMENDED WIRE DIAMETER RANGE IS 1.30 TO 2.54mm



776531-1 SHOWN



SECTION A-A



SCALE 2:1

| | |
|-----------|-------------|
| YELLOW | 776531-3 |
| GRAY | 776531-2 |
| RED | 776531-1 |
| TPA COLOR | PART NUMBER |

THIS AMP PROPRIETARY INFORMATION IS CONFIDENTIAL AND IS DISCLOSED TO YOU ON CONDITION THAT NO FURTHER DISCLOSURE IS MADE BY YOU TO ANYONE OTHER THAN AMP PERSONNEL WITHOUT WRITTEN AUTHORIZATION FROM AMP INCORPORATED, HARRISBURG, PA.

| | | | |
|--|---|---|--|
| THIS DRAWING IS A CONTROLLED DOCUMENT FOR TYCO ELECTRONICS CORPORATION IT IS SUBJECT TO CHANGE AND THE CONTROLLING ENGINEERING ORGANIZATION SHOULD BE CONTACTED FOR THE LATEST REVISION. | | DWN W. HOELSCHER 04SEP2003 CHK J. PATTERSON 04SEP2003 APVD D. KLEIN 04SEP2003 | tyco AMP Incorporated Harrisburg, PA 17105-3608 |
| DIMENSIONS: mm | TOLERANCES UNLESS OTHERWISE SPECIFIED: 0 PLC ± 1 PLC ± 2 PLC ± 3 PLC ± 4 PLC ± ANGLES ± FINISH | PRODUCT SPEC APPLICATION SPEC 114-13065 WEIGHT CUSTOMER DRAWING | NAME PLUG ASSEMBLY, 6 POSITION, 2 ROW, AMPSEAL 16 CONNECTOR REDUCED DIA WIRE SEAL SIZE A2 CAGE CODE 00779 DRAWING NO. 776531 RESTRICTED TO SCALE 3:1 SHEET 1 OF 1 REV C |